



Packaged Unit Cross-Reference Guide

Whenever you are asked to cross reference a brand of HVAC packaged equipment, special care must be taken to address all of the potential variables.

ALWAYS get the voltage, fuel type, and unit configuration! Never rely solely on the model number. In addition, sometimes the model number does not reflect field or factory installed features & accessories. To that end, its always important to "exclude" any items which are not specifically listed on your quote.

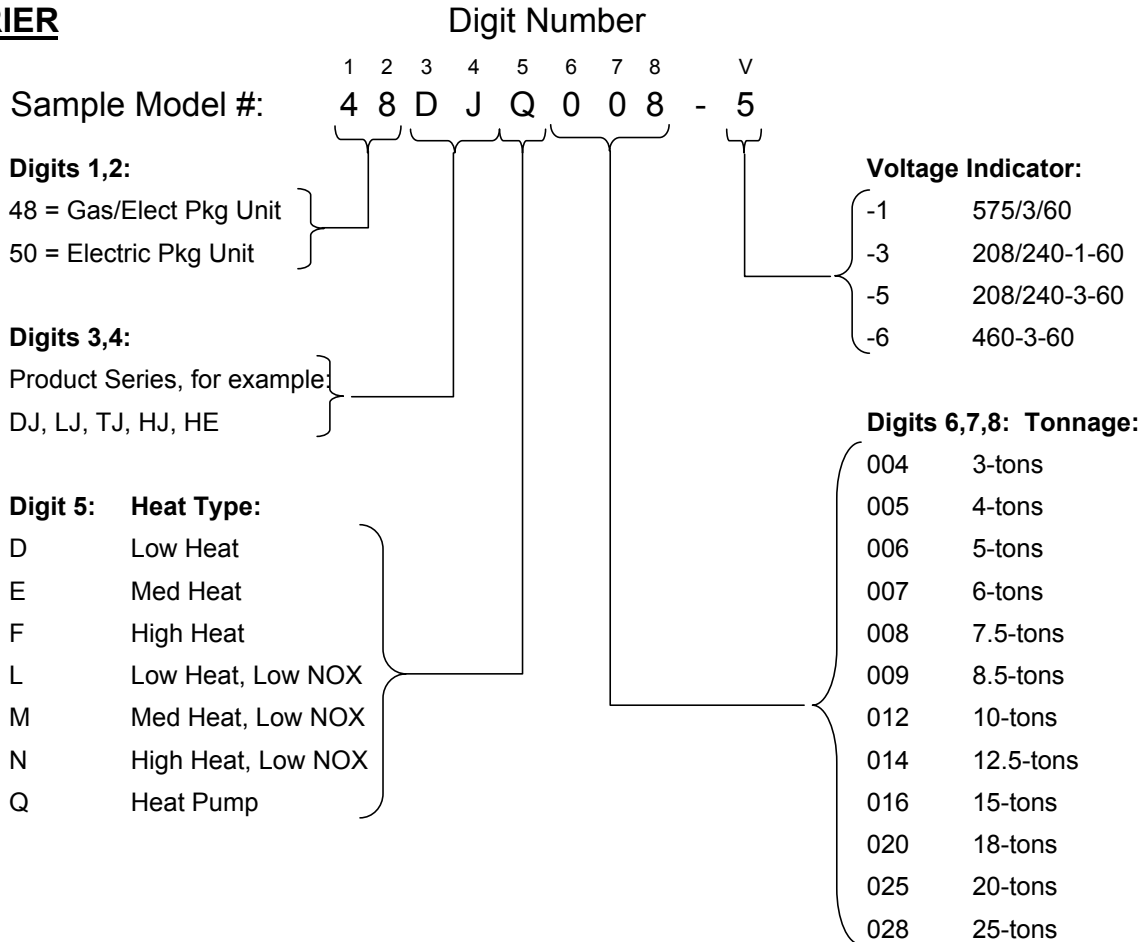


The attached cross reference charts are NOT intended to be a complete and total list of all models in the field. Rather, the goal of building this reference guide is to simplify cross referencing roughly 60-70% of the models encountered on a daily basis.

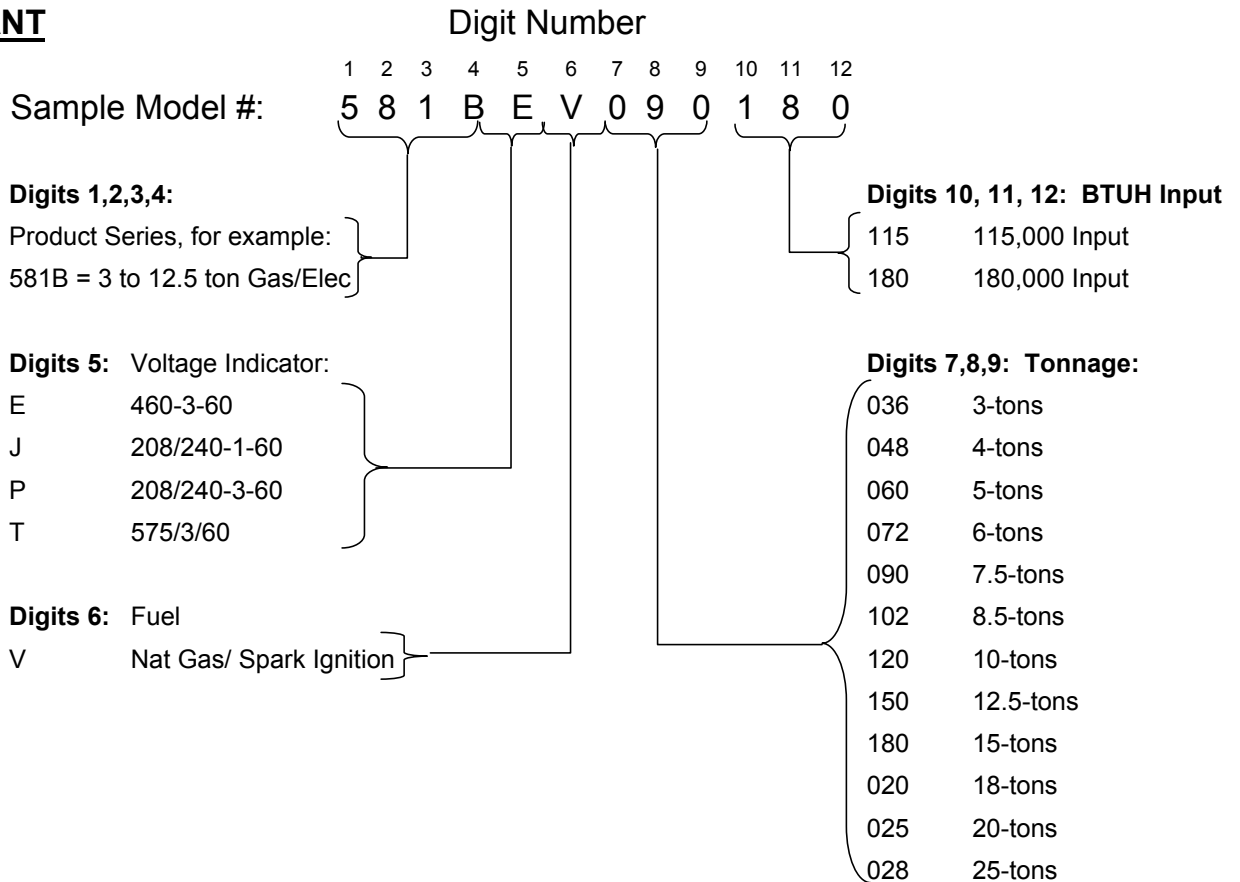
Please note: It is the contractor's responsibility to confirm the correctness of the project tonnage requirements, voltage, & any required accessories.

Thank goodness for Goodman.™

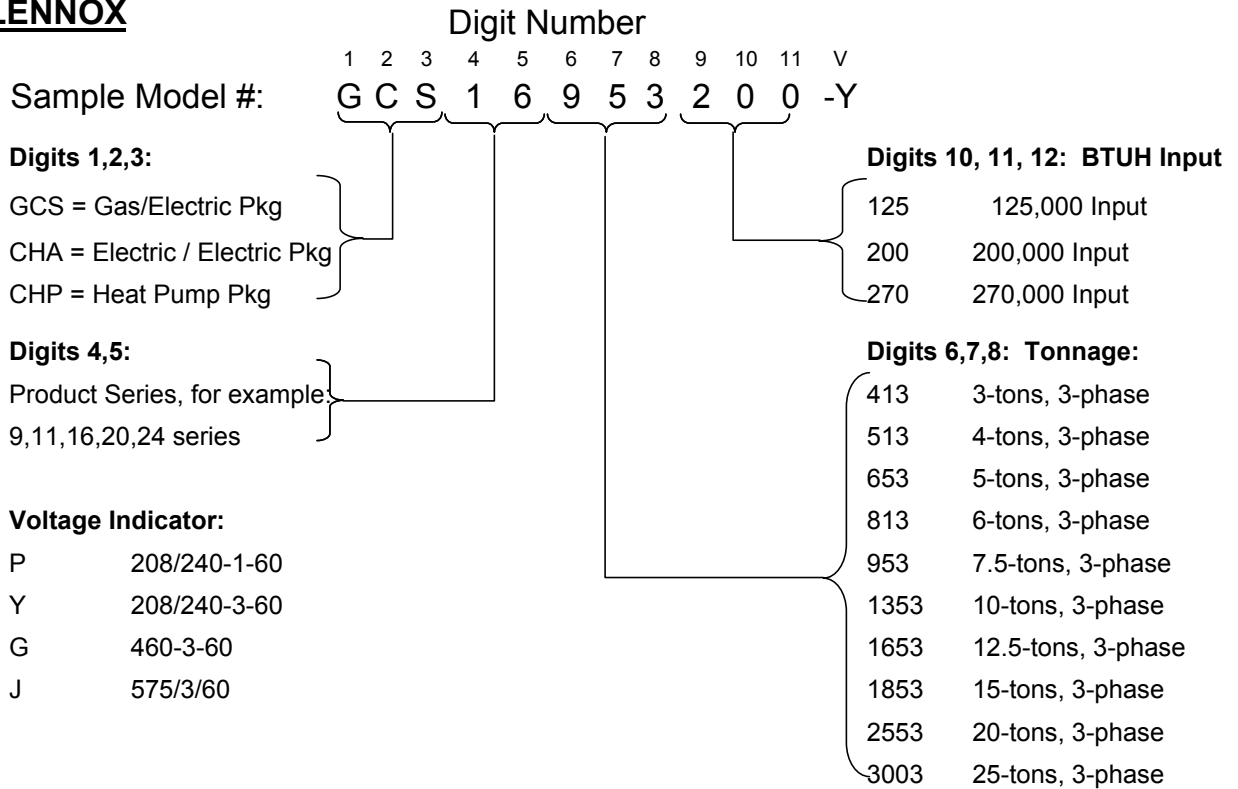
CARRIER



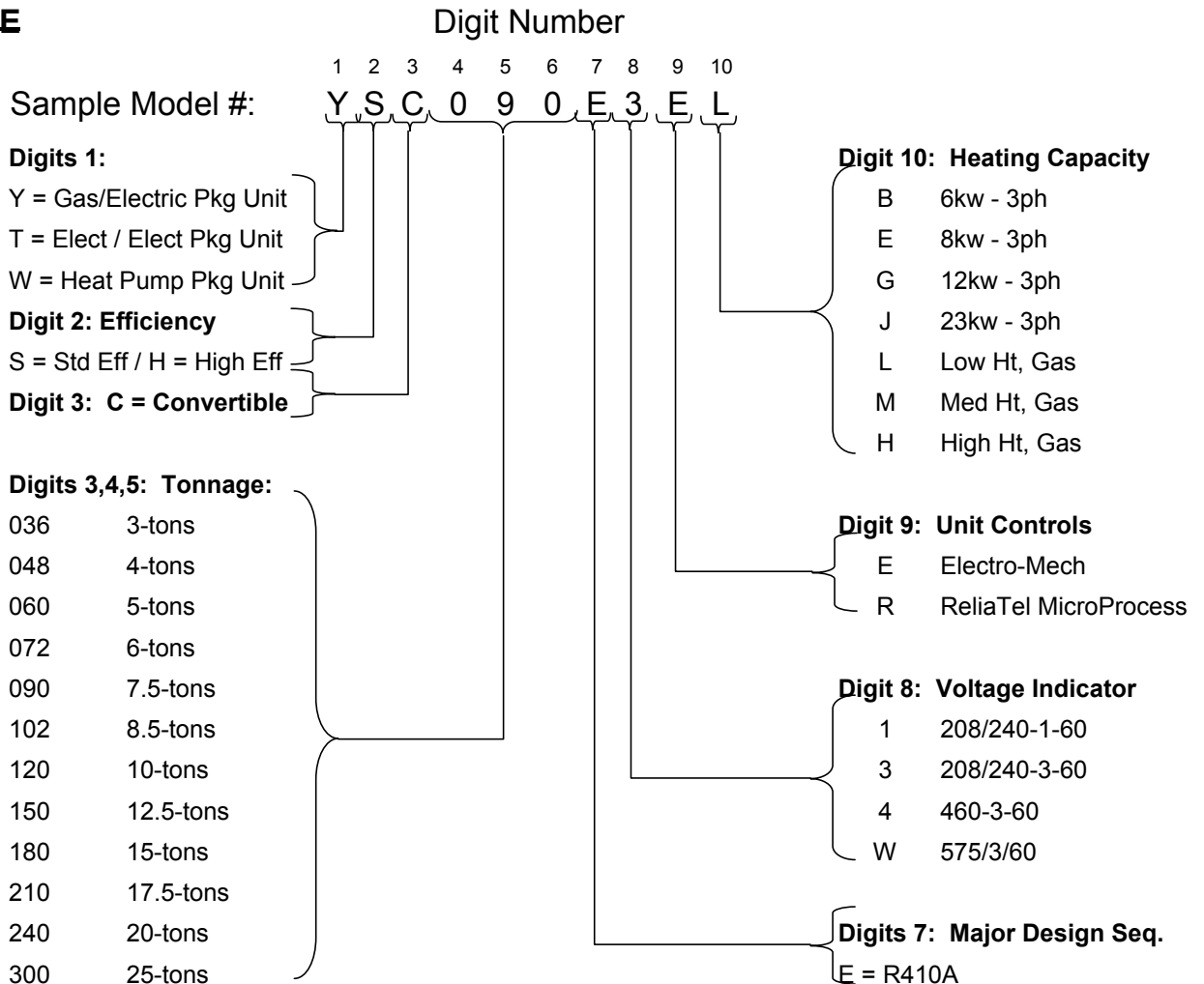
BRYANT



OLD LENNOX



TRANE



YORK

Digit Number

Sample Model #: 1 2 3 4 5 6 7 8 9 10
 Z H 0 9 0 N 1 0 A 2

Digits 1:

Z = Cooling Pkg Unit
 X = Heat Pump Pkg Unit

Digit 2: Efficiency

H = 11+ EER, A/C
 P = 11+ EER, HP
 J = 11+ EER A/C
 F = 10 to 11 EER
 R = ReHeat

Digits 3,4,5: Tonnage:

036 3-tons
 048 4-tons
 060 5-tons
 078 6.5-tons
 090 7.5-tons
 102 8.5-tons
 120 10-tons
 150 12.5-tons
 180 15-tons
 210 17.5-tons
 240 20-tons
 300 25-tons

Digit 10: Voltage Indicator

2 208/240-3-60
 4 460-3-60
 5 575/3/60

Digits 9: Airflow

A Std Motor
 N Hi Static Motor
 Others Fact Ins O/A Access

Digits 6,7,8: Heating

N10 105,000 Input
 N15 150,000 Input
 N20 200,000 Input
 E09 9kw
 E18 18kw
 E24 24kw